

atc 15 Litre Under Sink Water Heater Z15 – U

For commercial applications the 15 Litre **atc** unvented under sink water heaters are the ideal solution for supplying a number of sinks, depending on the hot water demand, without the need for special taps. This can prove more cost effective than installing a traditional vented system

TECHNICAL SPECIFICATIONS

Canteens, Kitchens, Offices, Apartments and Work shops

- Easy to install
- Available in 15 litre
- High density polyurethane foam insulation which reduces radiant heat loss, reduces energy consumption and ensures high energy efficiency.
- Exclusive dry powder porcelain enamel tank lining delivering twice the corrosion resistance of ordinary glass lining.
- Fitted with heavy duty seamless bolt - on square flange type heating elements which are more durable and efficient.
- Fitted with premium protective magnesium anode rod which equalises aggressive water action and provides extra protection against corrosion.
- External thermostat control allows adjustment to preferred water temperature.
- Fitted with limiting device to provide protection of overheating.
- Supplied with expansion relief valve calibrated at 6 Bar
- **Floor or Shelf Mounting**



Polyurethane insulation foam

Enamel Tank

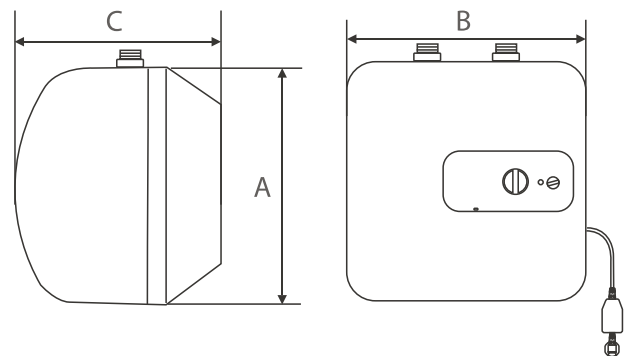
Magnesium Anode
SUS316L Heating Element

Plastic Shell



TECHNICAL DATA

Product Code	Z - 15U
Capacity (L / Gal)	15L / 3.3 Gal
Power Watts (W)	2000W
Voltage (V)	230V
Frequency (Hz)	50 / 60Hz
Max Pressure (Bar)	6 Bar
Connections	1/2"
Thermostat	External
Approvals	CCC, CE, RoHs



RECOMMENDED SELECTION GUIDE

Capacity of Water Heater	Number of Basins
5 litres	1 - 2
10 litres	2 - 3
15 litres	3 - 4

Note: These figures are for guidance only.

HEAT UP TIME

15 litres	32 minutes
-----------	------------

Dimensions	Z-15U
Height (mm) A	460mm
Width (mm) B	290mm
Depth (mm) C	275mm

