

**ATC ELECTRICAL & MECHANICAL**

ATC House,  
Broomhill Drive, Tallaght, D24 EF99  
IRELAND  
tel +353 1 4625111  
fax +353 1 4520887  
[www.atc.ie](http://www.atc.ie)      [sales@atc.ie](mailto:sales@atc.ie)



**PH1000T**  
**PH1500T**  
**PH2000T**



**ATC Sunray Panel Heater**

**Class I - IP 20**

**3 Year Warranty**

**INSTALLATION USE AND  
MAINTENANCE MANUAL**



**ATC ELECTRICAL & MECHANICAL**

ATC House,  
Broomhill Drive, Tallaght, D24 EF99  
IRELAND  
tel +353 1 4625111  
fax +353 1 4520887

[www.atc.ie](http://www.atc.ie) [sales@atc.ie](mailto:sales@atc.ie)



## 1. IMPORTANT SAFETY INSTRUCTIONS

*These instructions should be carefully read before installation and retained by the user. The booklet must be kept and delivered to the new user in case of disposal of the heater. The Manufacturer reserves the right to vary the features of the product without prior notice. The technical data are indicative only.*

1. This heater is intended solely for the use it has been designed for, namely space heating. The Manufacturer or Distributor is not responsible for any damage that could happen due to improper use.
2. After unpacking make sure that the heater is complete and shows no signs of tampering or any visible damage
3. Keep packing materials, which are potentially dangerous, away from children.
4. The heater can be used by children of at least 8 years (as well as by persons with reduced physical, sensory or mental capabilities, or lack of experience or required knowledge) provided that they are under supervision, or after they have been instructed relating to the safe use and have understood the potential dangers. Children should not play with the Heater.
5. Cleaning and maintenance must be performed by the user and not by unsupervised children.
6. Children of less than 3 years should be kept away unless continuously supervised. Children aged from 3 years and less than 8 years shall only switch on/off the heater provided that it has been placed or installed in its intended normal operating position and they have been given instruction concerning use of the heater in a safe way and understand the hazards involved, children should always be supervised.
7. Children aged from 3 years and less than 8 years shall not plugin, regulate, clean the heater or perform maintenance.
8. Before connecting the heater make sure that the voltage is the same as indicated on the device rating table.
9. Do not use in presence of gas, inflammable or explosive liquids or substances as defined in BS5345.

10. Some fundamental rules which apply to all electrical devices must be observed when using the heater:
  - Do not touch the heater with wet hands.
  - Do not handle the heater when you have bare feet.
  - Do not let children play with the heater.
11. Avoid the use of extension cords with this product, extension cords may overheat and there could be a risk of fire.
12. Do not make any modification to the Heater.
13. Keep connections dry.
14. If the power supply cord is damaged, do not use the heater until the cord has been replaced. For power cord replacement, always contact an electrician in order to avoid any risk of injury.
15. If the heater is not going to be used for a long period, disconnect it from the power supply.
16. Always disconnect the heater before doing any maintenance



**CAUTION** - Some parts of this product can become very hot and cause burns. Particular attention has to be given where children and vulnerable people are present.

## 2. ELECTRICAL INSTALLATION NOTES



**The installation should always be carried out by a qualified electrician or a competent person in accordance with the current electrical standards: HD 384 CENELEC for Mainland Europe, IEC 60446 and BS 7671 for the United Kingdom, IEC 60445(2010) & ET101:2008 for Ireland and IEC 60364-7-708 1988 Internationally. The energy supply to the heater must always be properly earthed. The heater must be connected to the energy supply using the provided cable.**



An overvoltage category III Combined Circuit breaker and Residual Current Device (RCD) with rated earth leakage operation not exceeding 30mA must be fitted upstream on the supply line. The circuit breaker must have a contact opening distance of at least 3 mm.

- The heaters should always be installed only using the mounting brackets provided
- Under no circumstances turn the heater on if it is not mounted using the brackets supplied or if the face of the heater is on any surface.
- The heater must not be recessed in the ceiling. There must be enough space around the top of the heater to ensure adequate ventilation.

**ATC ELECTRICAL & MECHANICAL**

ATC House,  
Broomhill Drive, Tallaght, D24 EF99  
IRELAND  
tel +353 1 4625111  
fax +353 1 4520887

[www.atc.ie](http://www.atc.ie)

[sales@atc.ie](mailto:sales@atc.ie)



- A minimum air gap of at least 90 cm should always be allowed between the top of the heater and a ceiling or roof.
- The heater should be at least 60 cm away from any surrounding walls.
- A distance of at least 100 cm should always be left in front of the heaters to ensure safety
- The Heater should be mounted at a minimum of 20cm above ground level.
- The Heater must not be located either directly below, or in front of a socket-outlet.
- The heater must be installed so as to prevent any control switches being able to be touched by anyone who is in the shower or bath.
- Make sure that there is no possibility of inflammable material, combustible material or curtains coming into contact with the heater, there is a risk of fire if this happens.
- Do not cover the heater.
- **DO NOT LEAVE THE HEATER UNATTENDED DURING USE.**

### 3. WALL MOUNTING INSTRUCTIONS

Remove the heater from the packaging and then disconnect the wall bracket from the back of the heater.

Mark the wall according to the dimensions given in Figure 1 below for the heater of your correct size.

Drill the wall and insert the plastic wall anchors into the holes. Mount the wall bracket using the screws provided

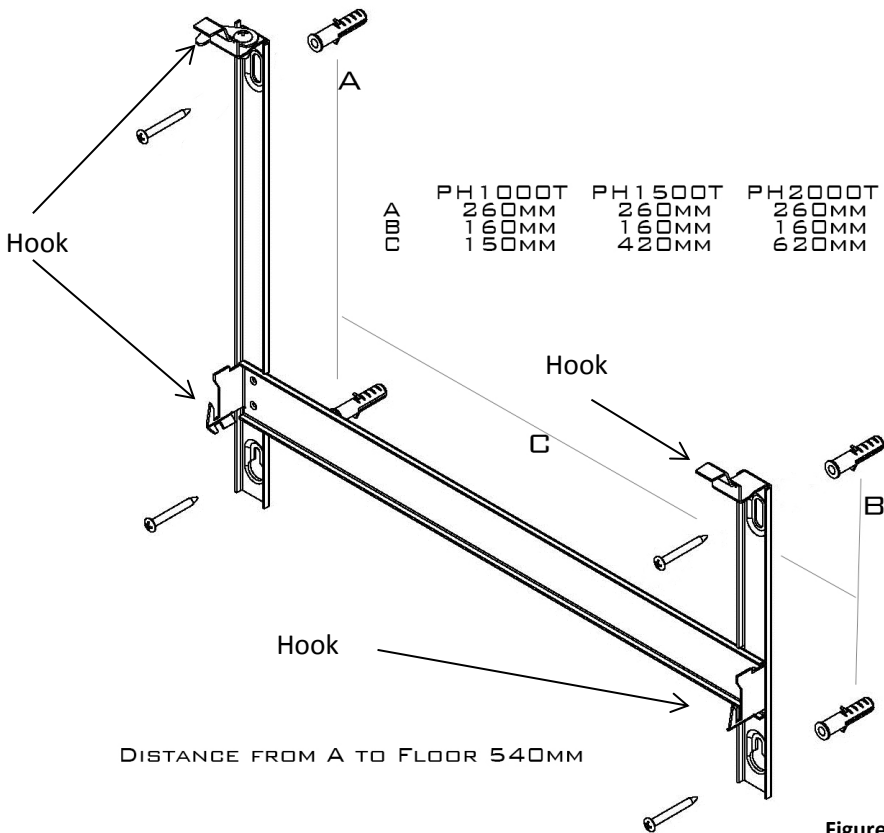


Figure 1

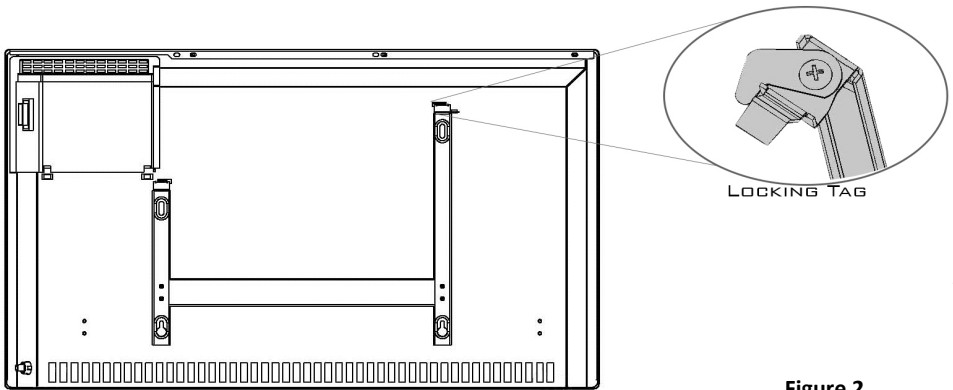
**ATC ELECTRICAL & MECHANICAL**

ATC House,  
Broomhill Drive, Tallaght, D24 EF99  
IRELAND  
tel +353 1 4625111  
fax +353 1 4520887  
[www.atc.ie](http://www.atc.ie)      [sales@atc.ie](mailto:sales@atc.ie)



Attach the heater to the wall bracket by aiming the 4 hooks on the bracket into the corresponding holes on the back of the heater. Insert the bottom two hooks first and then slide the top 2 hooks into position.

The upper section of the wall bracket incorporates a locking tag which should be inserted into the hole on the back of the heater and tightened after the heater is mounted on the wall. See Figure 2



**Figure 2**

**NOTES**

Prior to drilling the wall, ensure there are no cables or pipes within the wall and ensure that the mounting screws are fixed firmly to guarantee that the heater is safely mounted to the wall.

## 4. USE

To turn the heater on use move the red operation switch on the timer to either the on position or timer position. (See Figure 3)

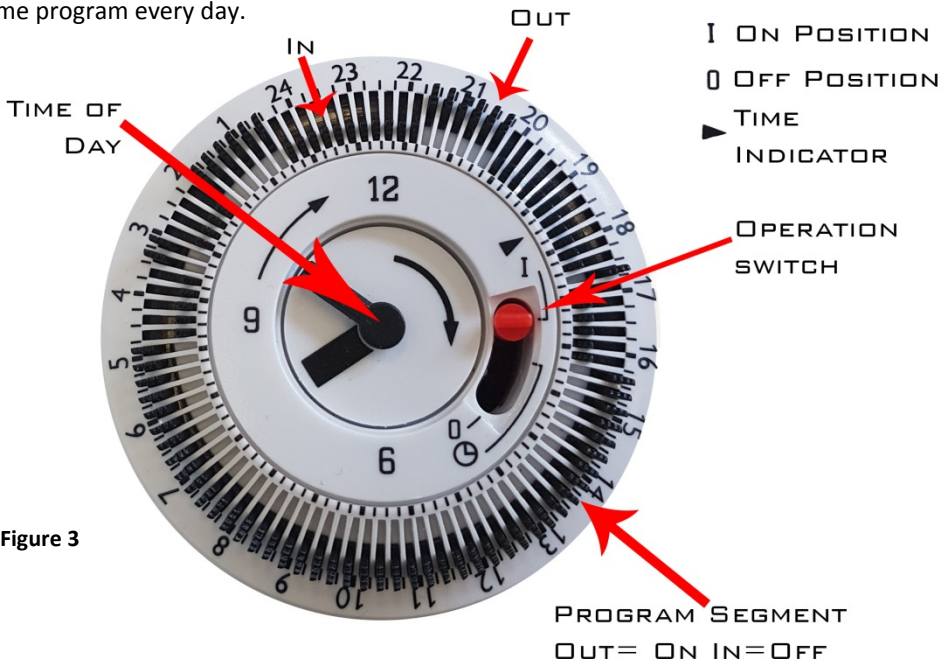
When the switch is in the on position the heater will operate continuously under the control of the thermostat knob once a heat output is selected.

To select a heat output, turn on either of the red neon switches on the right side of the heater. Turning on one switch will operate half heat, both switches on together will give full output, this selection and also the thermostat work in both “on” and “timer” modes.

The timer mode is selected by moving the red operation switch to the timer position. The timer is a 24 hour programmable unit with 15 minute interval settings. To set the time, rotate the outer ring in a clockwise direction until the time of day is correct (shown below as 18:50) and the time indicator is in the correct place. Do not turn the outer ring anti-clockwise.

To set the heater to come on push the corresponding program segment to the out position. Each Segment represents 15 minutes.

For example, the dial below is set to be on between 20:15 and 21:45 where the “Out” arrow is shown. The timer will keep the same program every day.



**ATC ELECTRICAL & MECHANICAL**

ATC House,  
 Broomhill Drive, Tallaght, D24 EF99  
 IRELAND  
 tel +353 1 4625111  
 fax +353 1 4520887  
[www.atc.ie](http://www.atc.ie)      [sales@atc.ie](mailto:sales@atc.ie)



## 5. MAINTENANCE

ATC Panel heaters contain no user serviceable parts and therefore require very little maintenance.

Ensure that there is no excessive build-up of dust/dirt on the heater element as this can cause overheating and premature element failure. To clean the outside of the appliance, wipe off dirt with a damp cloth.

## 7. TECHNICAL FEATURES

Product Code	PH1000T	PH1500T	PH2000T
Power (W)	500W/1000W	750W/1500W	1000W/2000W
Voltage (V)	220-240V	220-240V	220-240V
Frequency (Hz)	50-60Hz	50-60Hz	50-60Hz
Element	High Quality Aluminium	High Quality Aluminium	High Quality Aluminium
Thermostat	Adjustable	Adjustable	Adjustable
Safety Cut-out	75 °C	85 °C	90 °C
Dimensions (LxDxH mm)	576 x 106 x 440	732 x 106 x 440	940 x 106 x 440
Weight	5.17 KG	6.35 KG	8.15 KG
IP Protection	IP20	IP20	IP20
Colour	White	White	White
Approvals	CE, Intertek GS, RoHS	CE, Intertek GS, RoHS	CE, Intertek GS, RoHS



## ATC ELECTRICAL & MECHANICAL

ATC House,  
Broomhill Drive, Tallaght, D24 EF99  
IRELAND  
tel +353 1 4625111  
fax +353 1 4520887

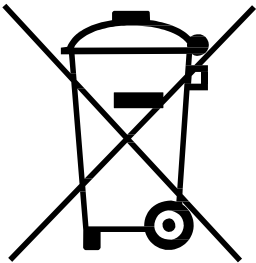
[www.atc.ie](http://www.atc.ie)

[sales@atc.ie](mailto:sales@atc.ie)



## 8. ENVIRONMENTALLY COMPATIBLE DISPOSAL OF THE APPLIANCE

(Waste Electrical & Electronic Equipment)



(Applicable in the European Union and other European countries with separate collection systems).

This marking shown on the product or its literature, indicates that it should not be disposed of with other household wastes at the end of its working life.

To prevent possible harm to the environment or human health from uncontrolled waste disposal, please separate this from other types of wastes and recycle it responsibly to promote the sustainable reuse of material resources.

Household users should contact either the retailer where

they purchased this product, or their local government office, for details of where and how they can take this item for environmentally safe recycling.

Business users should contact their supplier and check the terms and conditions of the purchase contract. This product should not be mixed with other commercial wastes for disposal.

## 9. GUARANTEE

Your appliance is guaranteed for 3 years from the date of purchase – during this period we will repair or exchange, at our discretion, any faulty or defective parts providing the appliance has been used in accordance with the operating & installation instructions and has not been misused or mistreated in any way.

Any unauthorised repair or attempted repair will invalidate the guarantee. You may be asked to return the product to our workshop for inspection to establish whether the fault is covered under the guarantee. The guarantee is valid in the UK and Ireland only. This guarantee is additional to your statutory rights. In the unlikely event of a problem with your appliance please contact your supplier.

Head Office & Energy Showrooms:  
ATC House, Broomhill Drive,  
Tallaght, Dublin 24,  
Ireland. Tel: 353 (1) 467 8301

UK Office: Innovation Centre, Gallows Hill,  
Warwick, CV34 9PL  
UK Tel: 0044 (0)203 5649164  
[Email: sales@atc.ie](mailto:sales@atc.ie)    [www.atc.ie](http://www.atc.ie)