



# Punto Filo Slim line Fans

Wall or ceiling mounted fans for intermittent or continuous ventilation of bathrooms, toilets, kitchens or utility rooms. Splash proof IPX4. Can be ducted 4m.

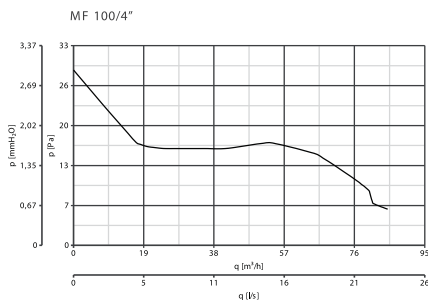
## TECHNICAL SPECIFICATIONS

- The front grille of just 17mm and the roundness of the four sides make the fan blend perfectly with the surface it is mounted on
- Available in 2 diameters, 100mm and 150mm
- Wall or ceiling mounted
- Can be ducted up to 4m
- Extremely easy to install and maintain. Fitted with just 1 screw, supplied in the box.
- Virtually silent thanks to a new impeller that permits very limited noise levels with high performance.
- Integral backdraught shutter already installed on the fan that prevents unwanted return air when fan is off.
- Ceiling Gasket available as an accessory
- IPX4 splash proof protection on all models.
- IMQ data label ensures data and performance is third party certified.
- Conforms to international standards: CEI EN 60335-2-80, CEI EN 60529 (code IP) and CEI 107-53/1986.
- Eco-Friendly: Recyclable materials have been used and the "Design for Disassembly" technique has been followed (2002/96/EC-WEE)

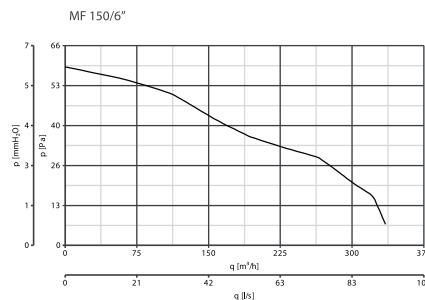


Design: F. Trabucco & Associati

## Pressure/Performance Curves

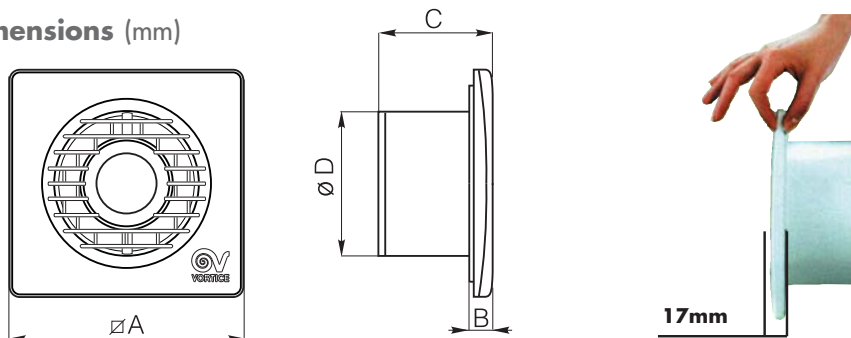


11123, 11127, 11139



11125, 11129

## Dimensions (mm)



	∅A	B	C	∅D	KG
100/4"	159	17	77	98	0,51
150/6"	214	17	96	156	0,97



# Punto Filo Slim line Fans

Wall or ceiling mounted fans for intermittent or continuous ventilation of bathrooms, toilets, kitchens or utility rooms. Splash proof IPX4. Can be ducted 4m.

## Punto Filo Range **STANDARD**

The new Punto Filo range with the ultra-slim grille (17mm) is both stylish and easy to install. **This fan has an integral back draught shutter, preventing unwanted return air when the fan is switched off.**

### Standard 100mm

CODE	PUNTO FILO RANGE 100mm 85m <sup>2</sup> /h (24L/S) IPX4 WALL / CEILING MOUNTING. CAN BE DUCTED 4m	BOX QTY
11123	100mm FILO FAN. WALL OR CEILING MOUNTED IPX4	4
11127	100mm FILO FAN c/w TIMER <b>TIMER</b> WALL OR CEILING MOUNTED IPX4	4
11139	100mm FILO FAN c/w HUMIDITY CONTROL SYSTEM	



11127.

### Standard 150mm

CODE	PUNTO FILO RANGE 150mm 335m <sup>2</sup> /h (93L/S) IPX4 WALL / CEILING MOUNTING. CAN BE DUCTED 4m	BOX QTY
11125	150mm FILO FAN. WALL OR CEILING MOUNTED IPX4	2
11129	150mm FILO FAN c/w TIMER <b>TIMER</b> WALL OR CEILING MOUNTED IPX4	2
11176	150mm FILO FAN c/w HUMIDITY CONTROL SYSTEM	



Integral Backdraught Shutter.

### Filo Ceiling Gaskets

CODE	PUNTO FILO RANGE 100mm & 150mm CEILING GASKETS	BOX QTY
22162	100mm FILO CEILING GASKET	10
22164	150mm FILO CEILING GASKET	10

